

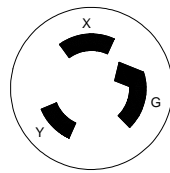
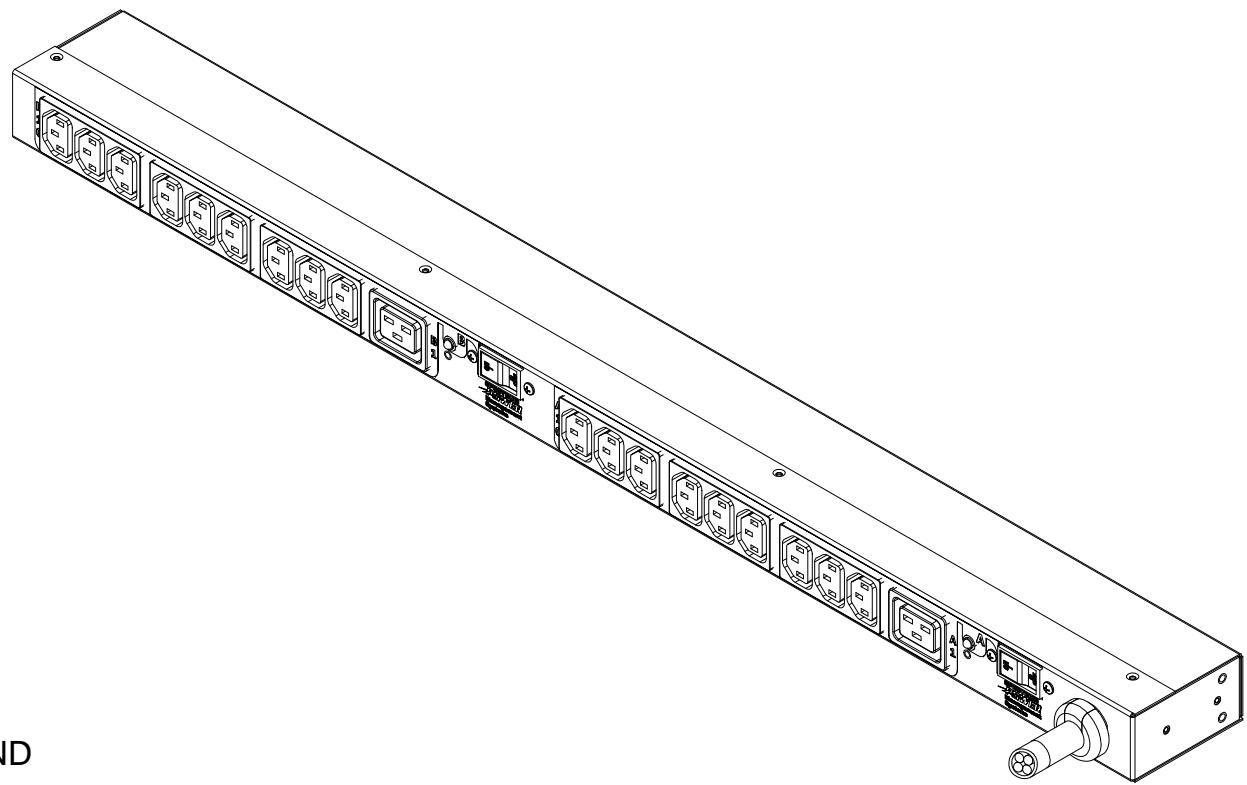
- A. Input Characteristics:**
- 1) Voltage: 200-250VAC
 - 2) Frequency: 50/60 Hz.
 - 3) Line Current: 30A Maximum (24AMPS DERATED,N.A.)
 - 4) Load Capacity: 6.90 KVA
 - 5) Overload Protection: (2) 2P/15A UL489 Circuit Breaker
 - 6) Power Cord: 10' (3m), #10AWG/3C
 - 7) Connector: NEMA L6-30P

- B. Output Characteristics:**
- 1) Voltage: 200-250VAC
 - 2) Current: 24A (Total Connected Load)
 - 3) Outlets: 2X (9-IEC C13, 1-IEC C19)

- C. Mechanical Characteristics:**
- 1) Material: CRS
 - 2) Finish: Powder Coat, Black, Fine Texture
 - 3) Lettering: Silk-Screen, White/Epoxy
 - 4) Storage Temp.: -(13) - 149F (-25 - 65C)

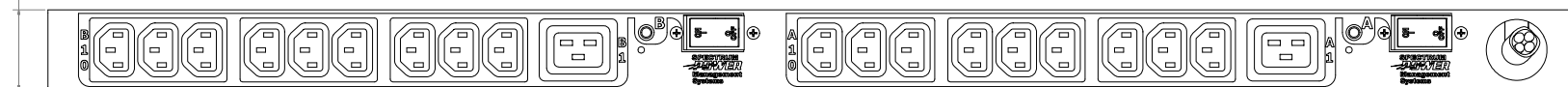
- D. Operating Environment:**
- 1) Temperature: 32 - 122F (0 - 50C)
 - 2) Relative Humidity: 0 - 95% (Non-Condensing)
 - 3) Elevation: 0 - 10,000FT (0 - 3000 m)

- E. Regulatory Conformance:**
- 1) Safety Agency: UL/cUL, UL60950-1, CE
 - 2) RoHS: Compliant to Directive 2002/95/EC



L6-30P PLUG END

1.73 in / 43.9 mm



33 in / 838.2 mm

LABEL PLACEMENT

3.25 in / 82.6 mm



1 CHANGE NOTICE ECN-000771-SPMS	DRAWINGS IN ACCORDANCE WITH STANDARD ANSI Y14.5M-1994 THIS DOCUMENT CONTAINS PROPRIETARY INFORMATION AND IS COPYRIGHTED. EXCEPT WITH THE WRITTEN PERMISSION OF SPECTRUM CONTROL, INC. OR ITS SUBSIDIARIES, SUCH INFORMATION SHALL NOT BE PUBLISHED OR DISCLOSED TO OTHERS, OR USED FOR ANY PURPOSE AND THIS DOCUMENT SHALL NOT BE DUPLICATED IN WHOLE OR IN PART.	TOLERANCES UNLESS OTHERWISE SPECIFIED: FRACTIONS ±1/64 DECIMAL .XX ± .020 DECIMAL .XXX ±0.010 ANGLES ± 0°30'				
	18X C13, 2X C19, DUAL BANK, 0U PDU 72A-130BMTGN-00		DRAWN: CarrS	DATE 2/22/2008	SHEET: 1 OF 1	CODE IDENT NO:

