

A. Input Characteristics:

- 1) Voltage: 100-127VAC
- 2) Frequency: 50/60 Hz.
- 3) Current: 16A DERATED, FOR NORTH AMERICA
- 4) Load Capacity: 1.92 KVA
- 5) Overload Protection: EXTERNAL INPUT PROTECTION REQUIRED
- 6) Power Cord: NO
- 7) Connector: IEC 60320 C20

B. Output Characteristics:

- 1) Voltage: 100 - 127 VAC
- 2) Current: 16A TOTAL COMBINED LOAD
- 3) Outlets: 5X + 2X NEMA 5-20R

C. Mechanical Characteristics:

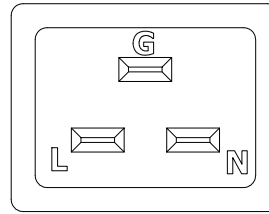
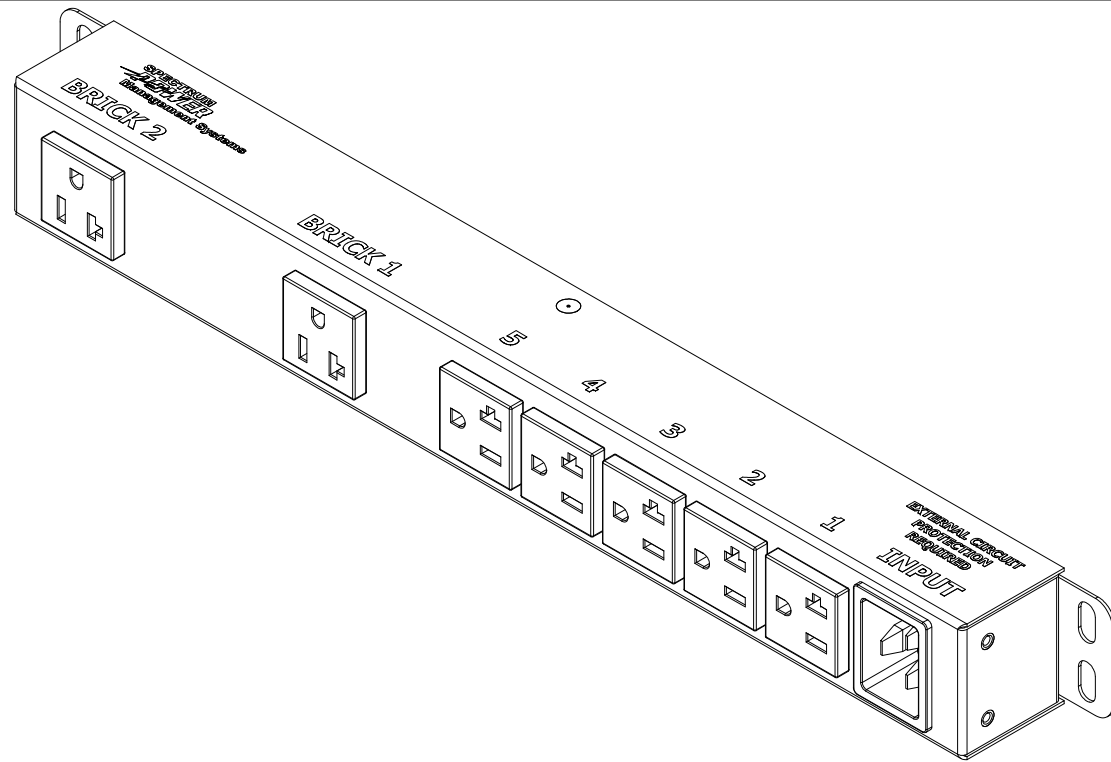
- 1) Material: CRS
- 2) Finish: Powder Coat, Black, Fine Texture
- 3) Lettering: Silk-Screen, White/Epoxy
- 4) Storage Temp.: -(13) - 149F (-25 - 65C)

D. Operating Environment:

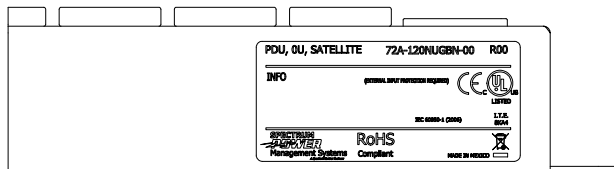
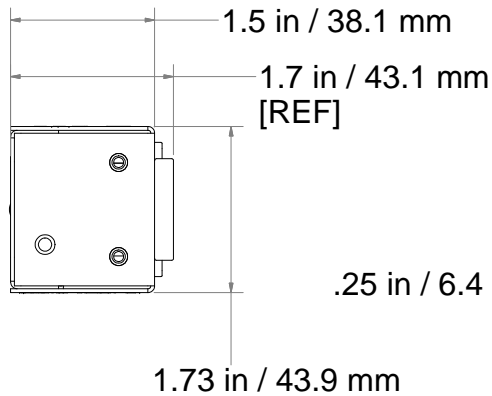
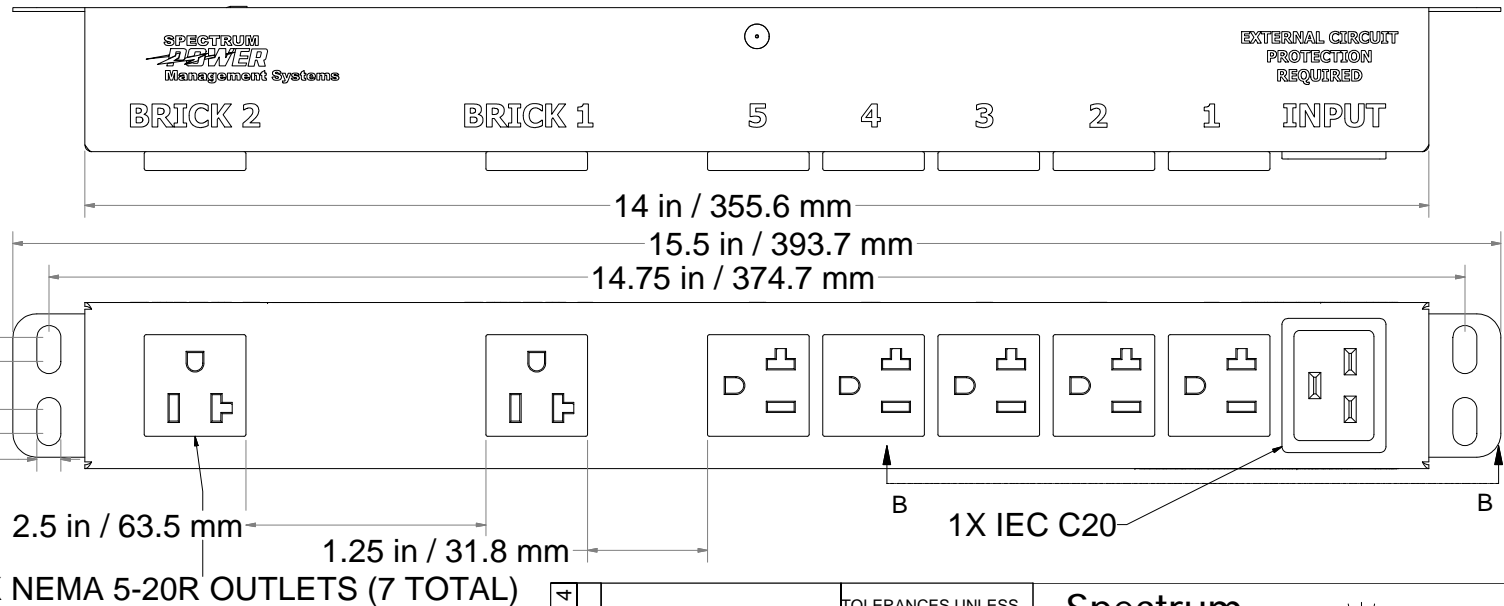
- 1) Temperature: 32 - 122F (0 - 50C)
- 2) Relative Humidity: 0 - 95% (Non-Condensing)
- 3) Elevation: 0 - 10,000FT (0 - 3000 m)

E. Regulatory Conformance:

- 1) Safety Agency: UL/cUL, UL60950-1
- 2) RoHS: Compliant to Directive 2002/95/EC



C20 INPUT



49802-ENG CHANGE NOTICE	DRAWINGS IN ACCORDANCE WITH STANDARD ANSI Y14.5M-1994 THIS DOCUMENT CONTAINS PROPRIETARY INFORMATION AND IS COPYRIGHTED, EXCEPT WITH THE WRITTEN PERMISSION OF SPECTRUM CONTROL, INC. OR ITS SUBSIDIARIES. SUCH INFORMATION SHALL NOT BE PUBLISHED OR DISCLOSED TO OTHERS, OR USED FOR ANY PURPOSE AND THIS DOCUMENT SHALL NOT BE DUPLICATED IN WHOLE OR IN PART.	TOLERANCES UNLESS OTHERWISE SPECIFIED: FRACTIONS ±1/64 DECIMAL .XX ± .020 DECIMAL .XXX ±0.10 ANGLES ± 0°30' 	
	5 + 2 5-20R SATELLITE PDU		
	72A-120NUGBN-00		
	DRAWN: CarrS	DATE: 8/3/2009	SHEET: 1 OF 1
			STATE COLLEGE, PENNSYLVANIA