

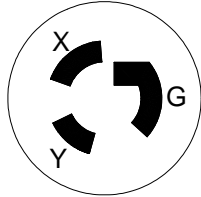
- A. Input Characteristics:
- 1) Voltage: 200-250VAC
 - 2) Frequency: 50/60 Hz.
 - 3) Line Current: 20A Maximum
 - 4) Load Capacity: 4.6 KVA
 - 5) Overload Protection: (1) 2P/20A UL489 Circuit Breaker
 - 6) Power Cord: 10' (3m), #12AWG/3C
 - 7) Connector: NEMA L6-20P
 - 8) Indicator: Power-on, LED

- B. Output Characteristics:
- 1) Voltage: 200-250VAC
 - 2) Current: 20A (Total Combined Load)
 - 3) Outlets: 12X IEC C13

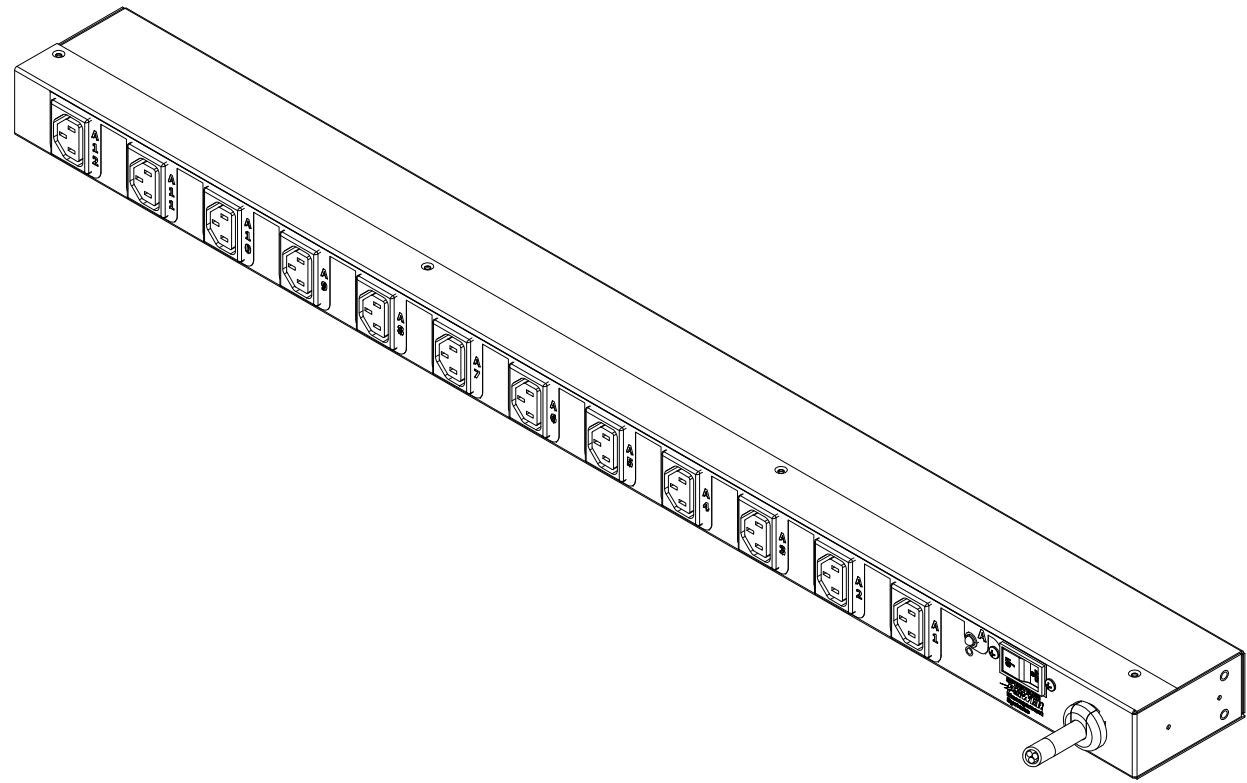
- C. Mechanical Characteristics:
- 1) Material: CRS
 - 2) Finish: Powder Coat, Black, Fine Texture
 - 3) Lettering: Silk-Screen, White/Epoxy
 - 4) Storage Temp.: -(13) - 149F (-25 - 65C)

- D. Operating Environment:
- 1) Temperature: 32 - 122F (0 - 50C)
 - 2) Relative Humidity: 0 - 95% (Non-Condensing)
 - 3) Elevation: 0 - 10,000FT (0 - 3000 m)

- E. Regulatory Conformance:
- 1) Safety Agency: UL/cUL, UL60950-1, CE
 - 2) RoHS: Compliant to Directive 2002/95/EC

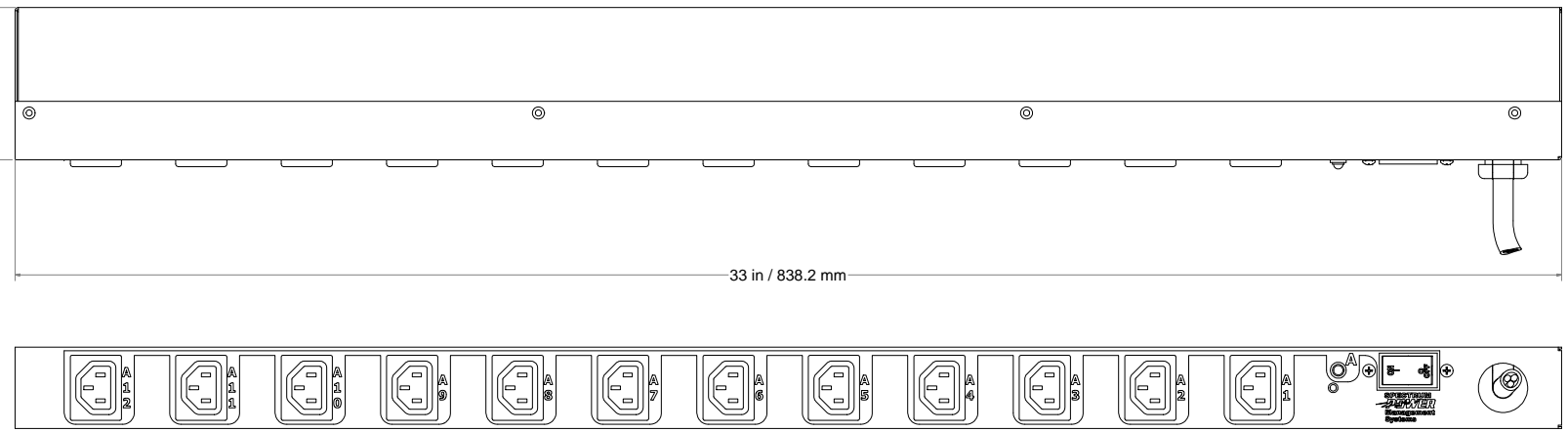


L6-20P PLUG END



1.73 in / 43.9 mm

3.25 in / 82.6 mm



0
40243-ENG
CHANGE NOTICE

DRAWINGS IN ACCORDANCE WITH STANDARD ANSI Y14.5M-1994

THIS DOCUMENT CONTAINS PROPRIETARY INFORMATION AND IS COPYRIGHTED, EXCEPT WITH THE WRITTEN PERMISSION OF SPECTRUM CONTROL, INC. OR ITS SUBSIDIARIES. SUCH INFORMATION SHALL NOT BE PUBLISHED OR DISCLOSED TO OTHERS, OR USED FOR ANY PURPOSE AND THIS DOCUMENT SHALL NOT BE DUPLICATED IN WHOLE OR IN PART.

TOLERANCES UNLESS OTHERWISE SPECIFIED:
FRACTIONS ±1/64
DECIMAL .XX ± .020
DECIMAL .XXX ± 0.010
ANGLES ± 0°30'

THIRD ANGLE PROJECTION

Spectrum POWER Management Systems

12X C13, 1 BREAKER, 0U PDU

72A-120BKLEN-00

DRAWN: CarrS	DATE 2/22/2008	SHEET: 1 OF 1	CODE IDENT NO:	STATE COLLEGE, PENNSYLVANIA
-----------------	-------------------	------------------	-------------------	--------------------------------