

A. Input Characteristics:

- 1) Voltage: 120VAC +10/-15%
- 2) Frequency: 50/60 Hz.
- 3) Current: 24A Maximum (Derated for NA)
- 4) Load Capacity: 3.6 KVA
- 5) External Overload Protection Req'd - 30A C.B.
- 6) Power Cord: 10' (3m), #10/3 Type SJOOW Cord
- 7) Connector: L5-30P
- 8) TVS (CM,DM): 100 Joules
- 9) IL (See Chart)

B. Output Characteristics:

- 1) Voltage: 120VAC Nominal
- 2) Overload Protection: (8) 1P/15A UL489 Circuit Breaker
- 3) Current: 24A MAX, Combined Load
- 4) Outlets: 8X2 Nema 5-20R

C. Mechanical Characteristics:

- 1) Material: CRS/G40 Galv. Coating
- 2) Finish: Powder Coat, Black, Fine Texture
- 3) Lettering: Silk-Screen, White/Epoxy
- 4) Storage Temp.: -(25) - 149C (-25 - 65C)

D. Operating Environment:

- 1) Temperature: 32 - 122F (0 - 50C)
- 2) Relative Humidity: 0 - 95% (Non-Condensing)
- 3) Elevation: 0 - 10,000FT (0 - 3000 m)

E. Regulatory Conformance:

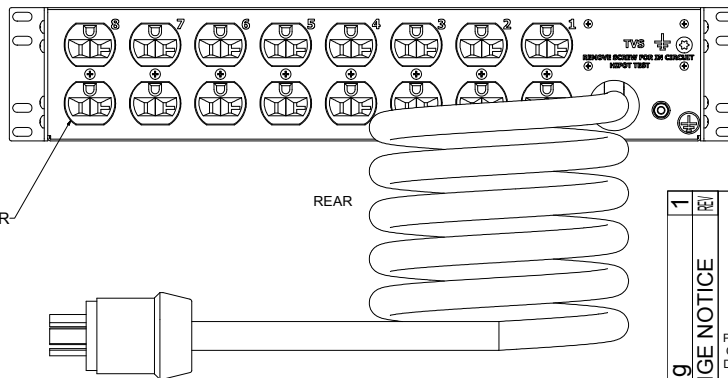
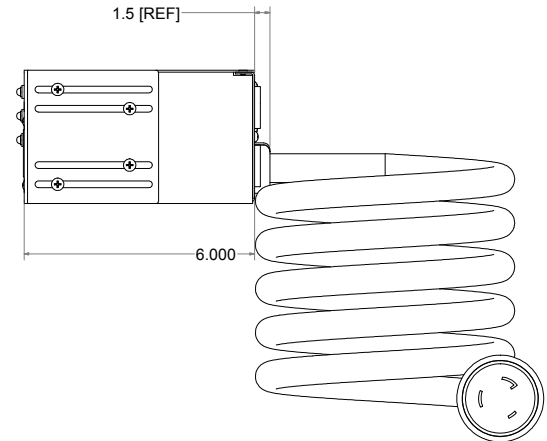
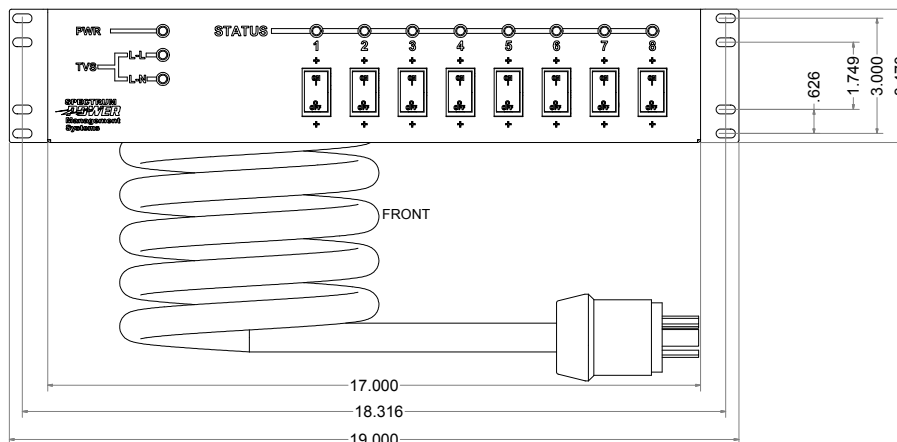
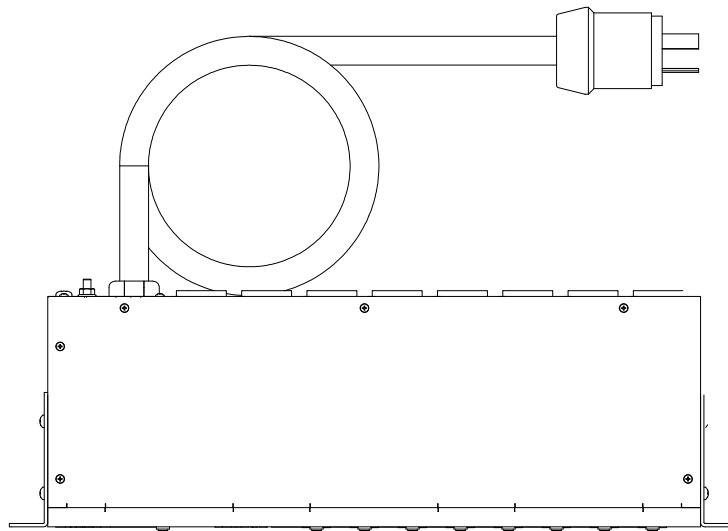
- 1) Safety Agency: UL/cUL, UL60950-1

- 2) RoHS: Compliant to Directive 2002/95/EC

INSERTION LOSS PERFORMANCE OF INTEGRAL EMI FILTER

FREQ. MHZ	.15	.45	1.0	2	5	10	30
COMMON MODE	9	18	23	28	35	40	52
DIFFERENTIAL MODE	12	18	22	54	78	66	54

INSERTION LOSS OF INTEGRATED EMI FILTER
-TESTED PER MIL- STD-220 (NO LOAD, CM)



48986-eng
CHANGE NOTICE
1

DRAWINGS IN ACCORDANCE WITH STANDARD ANSI Y14.5M-1994

THIS DOCUMENT CONTAINS PROPRIETARY INFORMATION AND IS COPYRIGHTED, EXCEPT WITH THE WRITTEN PERMISSION OF SPECTRUM CONTROL, INC. OR ITS SUBSIDIARIES. SUCH INFORMATION SHALL NOT BE PUBLISHED OR DISCLOSED TO OTHERS, OR USED FOR ANY PURPOSE AND THIS DOCUMENT SHALL NOT BE DUPLICATED IN WHOLE OR IN PART.

TOLERANCES UNLESS OTHERWISE SPECIFIED:
FRACTIONS ±1/64
DECIMAL .XX ± .020
DECIMAL .XXX ± 0.10
ANGLES ± 0°30'

THIRD ANGLE PROJECTION

Spectrum Power Management Systems

PDU/TVS, 2U, 120V, 3.6kVA

7200-A-39-3

DRAWN: Pruss	DATE 6/8/2009	SHEET: 1 OF 1	CODE IDENT NO:	STATE COLLEGE, PENNSYLVANIA
-----------------	------------------	------------------	----------------	-----------------------------